

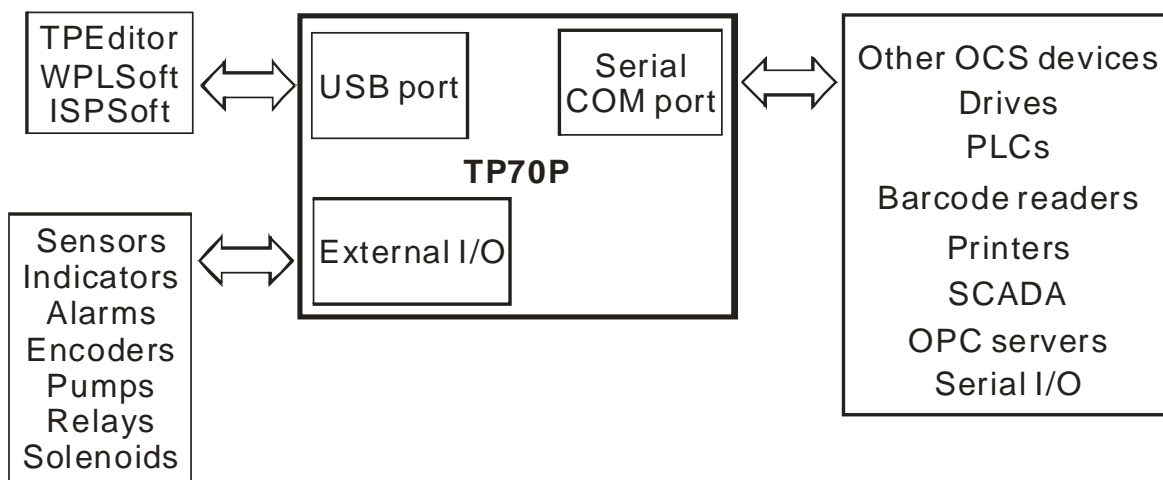
Table of Contents :

1. Product Introduction	2
2. Product Specification.....	3
3. Ordering information	8
4. Expected Release Date	9

Product Introduction

● TP70P

TP70P is highly flexible in that it can be connected to various devices. The devices which can be connected to TP70P are shown in the block diagram below.



The functions of TP70P are described below.

- The LCD on TP70P can display 65535, and is a touchscreen.
- TP70P provides various kinds of objects, including X-Y curves, circular meters, bars, sliders, and alarms.
- TP70P supports PLC Links.
- The driver in TP70P supports Delta controllers. It can be connected to Delta servers, inverters, and temperature controllers.

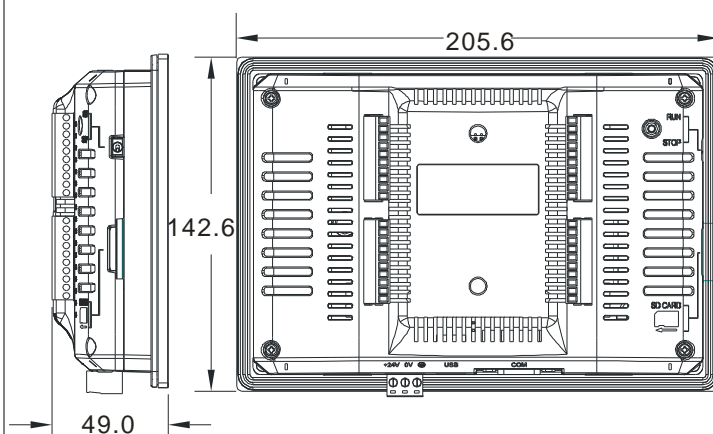
- There are two serial communication ports. One supports PLC communication, and the other supports TP70P communication.
- The USB port on TP70P can communicate with a computer. It supports the use of WPLsoft/ISPsoft/TPEditor to upload/download a program and to monitor devices.
- There are four models which have different I/O configurations. They can be connected to various types of output devices.

Specifications

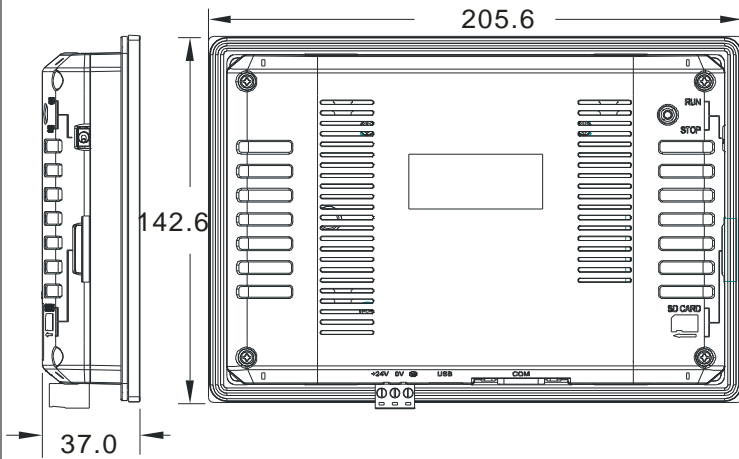
TP70P Product Outline and Dimensions

Front side and right side (Unit: mm)

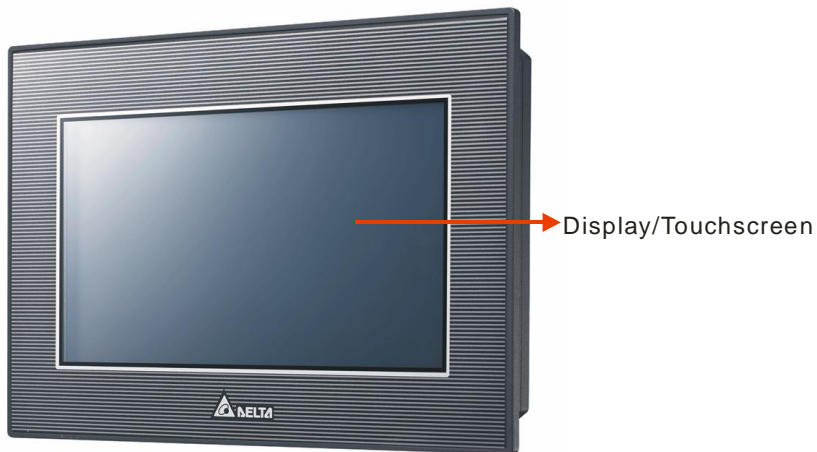
- TP70P-16TP1R, TP70P-32TP1R, TP70P-22XA1R, TP70P-21EX1R



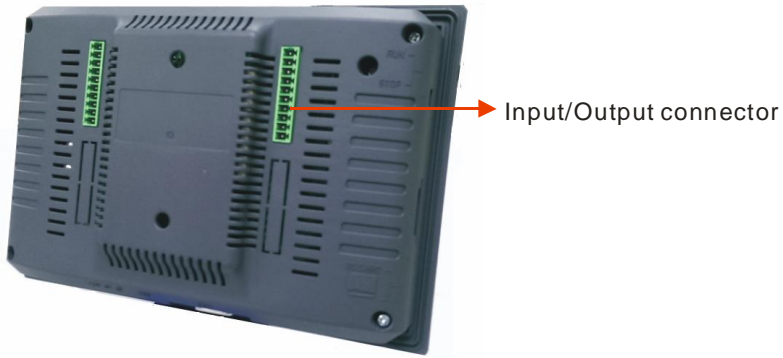
● TP70P-RM0



Front view



Back view



Side view



Side view



TP70P specification

Model		TP70P	TP70P	TP70P	TP70P	TP70P
Specifications		-32TP1R	-16TP1R	-22XA1R	-21EX1R	-RM0
Display	Screen/Color	7" TFT LCD (65535 colors)				
	Resolution	800×480 pixels				
	Backlight type	LED backlight (It has a lifespan of twenty thousand hours at a temperature of 25°C)				
	Display area	Width × Height = 154 × 85 (Unit: mm); 7 inches (diagonal)				
USB port		<p>Transmission: Virtual communication port</p> <p>Data length: 7 bits or 8 bits</p> <p>Stop bit: 1 bit or 2 bits</p> <p>Polarity: None/Odd/Even</p>				

		Transmission rate: 9,600 bps~115,200 bps	
		USB port: Type B USB connector	
Extension communica tion ports	COM2	RS-485	RS-232
		Data length: 7 bits or 8 bits	
	Stop bit: 1 bit or 2 bits		
	Polarity: None/Odd/Even		
		Transmission rate: 9,600 bps~115,200 bps	
		Connector: Male DB-9 connector	
	COM3	RS-485/RS-422	RS-485
		Data length: 7 bits or 8 bits	
	Stop bit: 1 bit or 2 bits		
	Polarity: None/Odd/Even		
		Transmission rate: 9,600 bps~115,200 bps	

		Connector: Male DB-9 connector
Monitoring devices		<p>After a program is downloaded to a text panel by means of the virtual communication port on the text panel, the devices in the PLC connected to the text panel can be monitored.</p>

Ordering information

Model Name	Description
TP70P-16TP1R	8DI / 8DO(Relay)
TP70P-32TP1R	16DI / 16DO(Relay)
TP70P-21EX1R	8DI / 8DO(Relay) /2AI/2 PT /1AO
TP70P-22XA1R	8DI / 8DO(Relay) /4AI/2AO
TP70P-RM0	No IO , Expand IO by RTU-485, Only support Delta Driver

Expected release date

Product name	Model Name	Date	MOQ (pcs)
TP70P	TP70P-16TP1R	11/19/2014	6
	TP70P-32TP1R	11/19/2014	6
	TP70P-21EX1R	11/19/2014	6
	TP70P-22XA1R	11/19/2014	6
	TP70P-RM0	11/19/2014	6

Quick start manual download

http://www.delta.com.tw/product/em/download/download_main.asp?act=3&pid=3&cid=3&tpid=1