

Pressure gauges

Mod. M043.. - M053.. - M063..

Precision classes CL1,6 and CL2,5

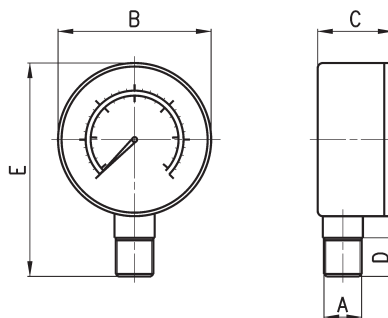


- » Radial connection
- » Rear connection
- » Panel mounting

To select the most suitable pressure gauge, the measurement range should be chosen considering the type of application according to the following criteria:

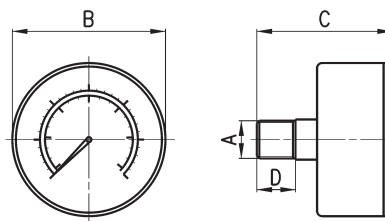
1. Constant pressure or pressure with slow fluctuations should be within 75% of the maximum scale value.
2. Pulsing pressure or rapid fluctuations should be within 65% of the maximum scale value.
3. Pressure peaks should never exceed the maximum scale value.

Pressure gauges with radial connection

 Precision class CL1,6 (mod. M063...)
 Precision class CL2,5 (mod. M043... and M053...)


DIMENSIONS						
Mod.	A	B	C	D	E	Range
M043-R06	R1/8	Ø 40,5	24,5	10	57	0-6 бар
M043-R12	R1/8	Ø 40,5	24,5	10	57	0-12 бар
M053-R12	R1/8	Ø 52,5	29	10	70	0-12 бар
M063-R12	R1/4	Ø 63	28	12	83	0-12 бар

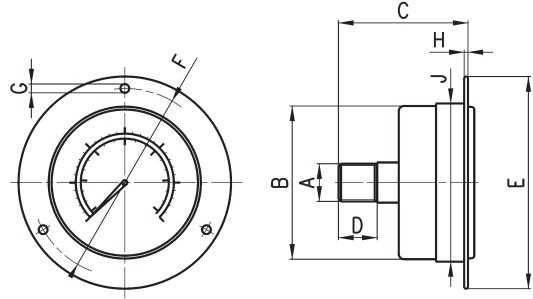
Pressure gauges with rear connection

 Precision class CL1,6 (mod. M063...)
 Precision class CL2,5 (mod. M043... and M053...)


DIMENSIONS					
Mod.	A	B	C	D	Range
M043-P04	R1/8	Ø 40	39,5	10	0-4 бар
M043-P06	R1/8	Ø 40	39,5	10	0-6 бар
M043-P10	R1/8	Ø 40	39,5	10	0-10 бар
M043-P12	R1/8	Ø 40	39,5	10	0-12 бар
M053-P04	R1/8	Ø 53	45	10	0-4 бар
M053-P06	R1/8	Ø 53	45	10	0-6 бар
M053-P10	R1/8	Ø 53	45	10	0-10 бар
M053-P12	R1/8	Ø 53	45	10	0-12 бар
M063-P04	R1/4	Ø 62,5	45,5	12	0-4 бар
M063-P06	R1/4	Ø 62,5	45,5	12	0-6 бар
M063-P12	R1/4	Ø 62,5	45,5	12	0-12 бар

Pressure gauges for panel mounting

Precision class CL1,6 (mod. M063...)
 Precision class CL2,5 (mod. M043... and M053...)



DIMENSIONS										
Mod.	A	B	C	D	E	F	G	H	J	Range
M043-F04	R1/8	Ø 41	38	10	Ø 60,5	53	Ø 3,5	1,2	42,5	0-4 bar
M043-F06	R1/8	Ø 41	38	10	Ø 60,5	53	Ø 3,5	1,2	42,5	0-6 bar
M043-F10	R1/8	Ø 41	38	10	Ø 60,5	53	Ø 3,5	1,2	42,5	0-10 bar
M043-F12	R1/8	Ø 41	38	10	Ø 60,5	53	Ø 3,5	1,2	42,5	0-12 bar
M063-F12	R1/4	Ø 62	43	12	Ø 84	74,5	Ø 3,5	1,2	63,5	0-12 bar