

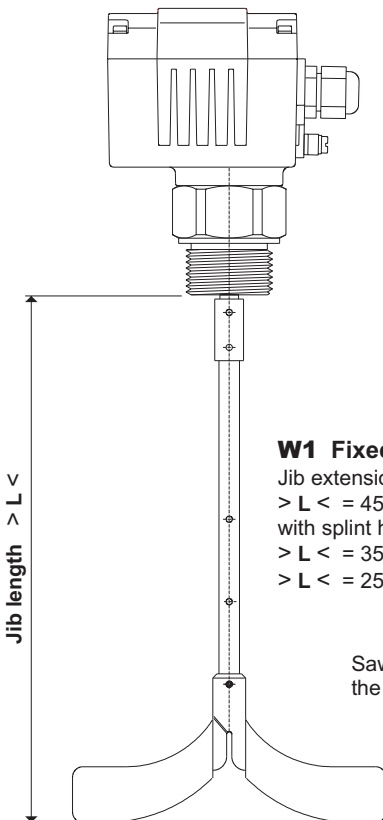
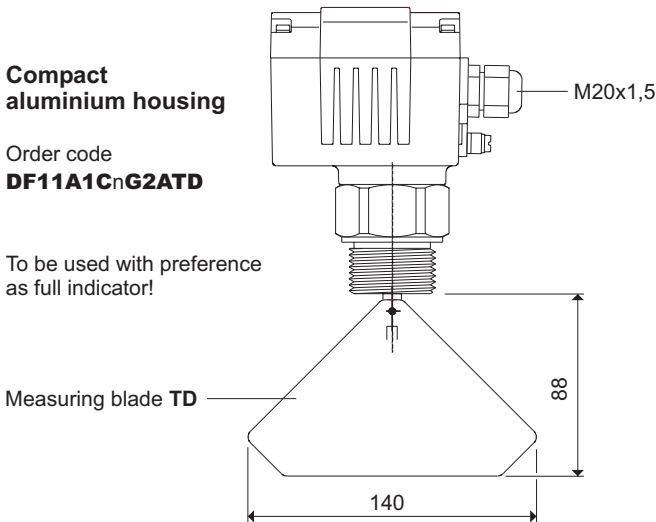
Full, empty and demand indicator for simple applications

Materials	housing	aluminium pressure casting, RAL 7001 coated
	process connection	aluminium
	shafts, rope	stainless steel 1.4301
	tensioning weight	stainless steel 1.4301
	blade TK	plastic PP
	blade TD	stainless steel 1.4301
Signal contact		2 A / 250V AC potential-free
Type of protection		IP 66 in accordance with DIN EN 60529
Ambient temperature		T _a -20 °C ... +70 °C
Bulk goods temperature		T(Process) -25 °C ... +80 °C
Pressure range		p(Process) -0,5 bar ... 1 bar
Maintenance		none

Compact aluminium housing

Order code
DF11A1CnG2ATD

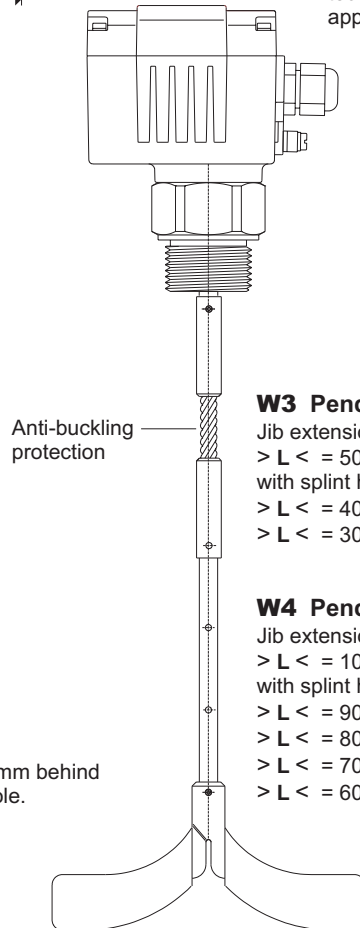
To be used with preference
as full indicator!



W1 Fixed shaft

Jib extension
> L < = 450 mm
with splint hole for
> L < = 350 and
> L < = 250 mm

Saw off shaft 10 mm behind
the used splint hole.

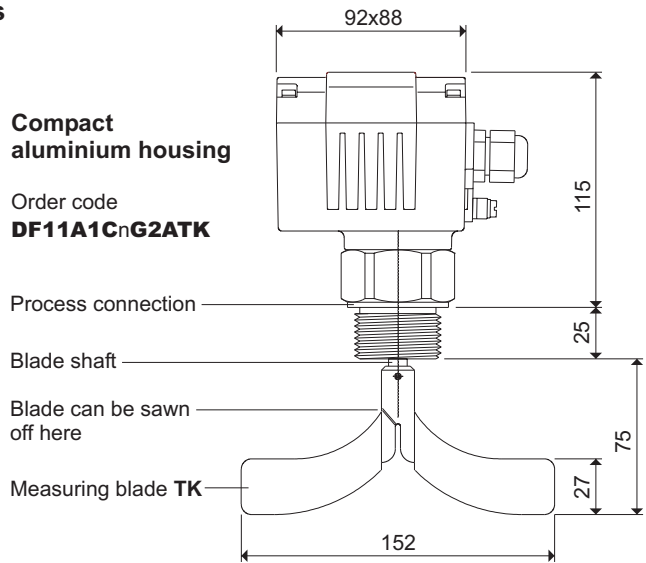


W3 Pendulum shaft

Jib extension
> L < = 500 mm
with splint hole for
> L < = 400 and
> L < = 300 mm

W4 Pendulum shaft

Jib extension
> L < = 1000 mm
with splint hole for
> L < = 900,
> L < = 800,
> L < = 700 and
> L < = 600 mm



Compact aluminium housing

Order code
DF11A1CnG2ATK

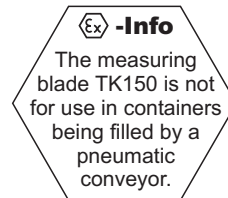
Process connection

Blade shaft

Blade can be sawn
off here

Measuring blade TK

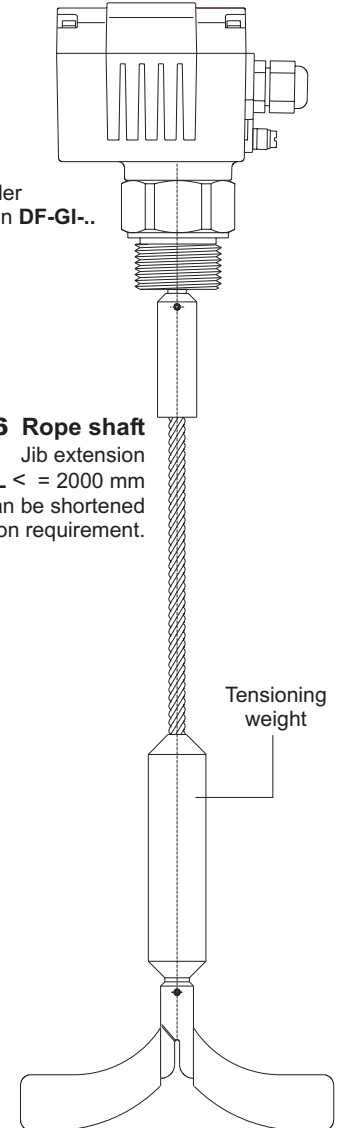
We recommend sawing off the plastic blade
on one side, when using as empty indicator.



You will find further
technical details under
appliance information **DF-GI-..**

W6 Rope shaft

Jib extension
> L < = 2000 mm
The rope can be shortened
depending on requirement.



Choice of options

Certifications, certificates, approvals

- B0** Standard
- B1** ATEX Ⓜ II 1/2D T80°C IP66 **Dust**
- B3** ATEX Ⓜ II 1/3D T80°C IP66 **Dust**
- B9** Further approvals on request

Supply voltage

- C1** 220...240V AC (50...60Hz)
- C2** 110...120V AC (50...60Hz)
- C3** 48V AC (50...60Hz)
- C4** 24V AC (50...60Hz)
- C5** 24V DC

Signal lamps¹⁾

- H0** Standard = without function LEDs
- H5** With function LEDs
- H6** Functions LEDs with collar
- H7** Signal lamp, LED yellow/green

Process connection in aluminium

- G1A** Thread G1" DIN/ISO 228
- G2A** Thread G1¼" DIN/ISO 228
- G3A** Thread G1½" DIN/ISO 228
- G5A** Thread M30x1,5
- G6A** Thread M32x1,5

Measuring blade

- >>> **inexpensive** in plastic
- TK** Blade TK150 150x27
- TK3** 3 blades TK150 150x120
- >>> **inexpensive** in stainless steel
- TD** Blade TD140 140x85
- > in stainless steel,
dimensions under **DF-PL-28**
delivery only without extension
- S1** Socket blade 95x30 inclined
- X1** Blade x50 98x50
- X2** Blade X100 98x100
- X3** Blade X200 180x100
- M0** Without measuring blade

Jib extension

- W0** Without extension
- W1** Fixed shaft 450mm ..
- W3** Pendulum shaft 500mm .
- W4** Pendulum shaft 1000mm
- W6** Rope shaft 2000mm

DF11A1 | | | | | | | | ← Order code

Supplies

- DF-SH** Weather protection hood in PVC, RAL 7001..
Certificated only for zone 22 and in non-hazardous areas

Hexagonal nuts in aluminium

- DF-SM1A** Hexagonal nut G1"
- DF-SM2A** Hexagonal nut G1¼"
- DF-SM3A** Hexagonal nut G1½"
- DF-SM5A** Hexagonal nut M30x1,5
- DF-SM6A** Hexagonal nut M32x1,5

- DF-KV1** Second cable union for standard version
- DF-KV2** Second cable union for ATEX version

- DF-MG2** Mounting flange with G1¼" thread for textile silos ...

1) **not** available together with **B1**

 All devices are certified.

B0, H0, M0 and **W0** are **not needed** for order code