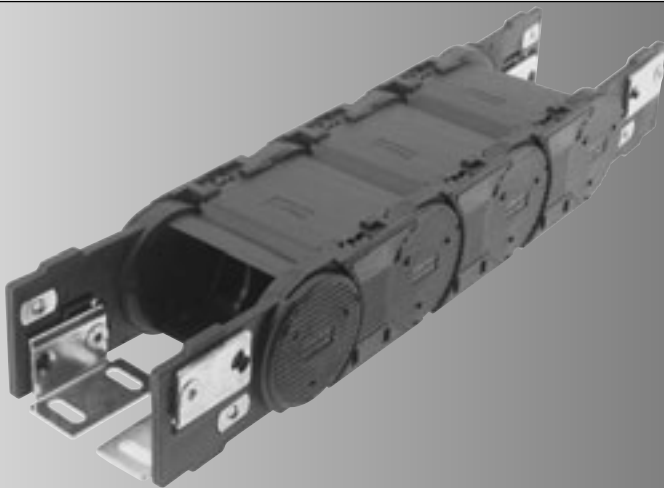


CABLE DRAG CHAIN SYSTEMS



MultiLine

MP 43 G



MP 43 G - MultiLine

Order variants

Style (order code)									
Configuration (order code)									
Radius (order code)									
in mm									
Internal width (order code)									
in mm									
External width									
in mm									
MP43 062	95	62	062						
MP43 084	117	84	084	125	125				
MP43 105	138	105	105	150	150			0	
MP43 144	177	144	144	200	200			1	0
MP43 182	215	182	182	250	250			9	9

Order number:	<input type="text" value="0430"/>	<input type="text"/>	<input type="text"/>	<input type="text" value="0"/>	<input type="text"/>	<input type="text"/>	<input type="text" value="0"/>
----------------------	-----------------------------------	----------------------	----------------------	--------------------------------	----------------------	----------------------	--------------------------------

Configuration:
 0 crossbar every link; w/bias
 1 crossbar every link; w/o bias
 9 Customer order

Style:
 0 Standard (PA)
 9 Special version

Sample order
 0430 062 125 0000

Inside width = 62 mm
 Radius = 125 mm
 Configuration = 0
 Style = 0

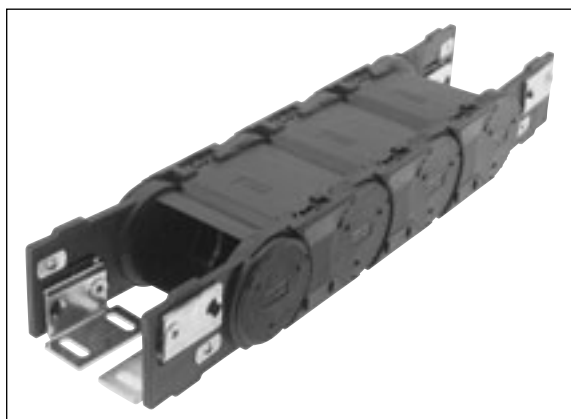
Ideal operating conditions






- Compact dimensions with opening cover on both sides
- Quiet operation
- High stability
- Flexible internal separation

Alternative chain type

- MP 44 Open version
- MP 36 G / MP 65 G
Flange connection

Features

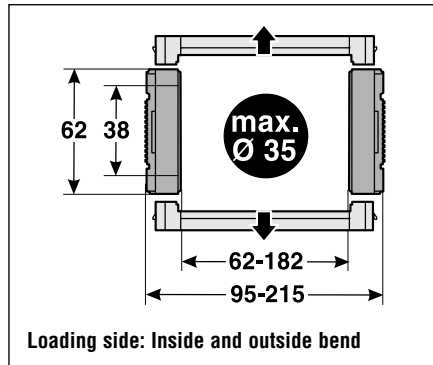


-  Chain bracket with variably positionable metal bracket
-  Frame ridges / covers in inside and outside bend can be removed
-  Radii with or without bias (RK/RV)
-  Plug-in shelf system for reliable cable guidance
-  ZL strain relief plate

MP 43 G - MultiLine

Technical data

Chain link dimensions



Material properties

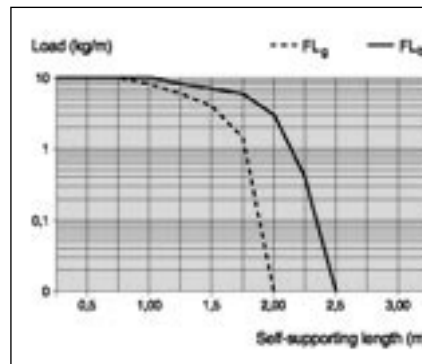
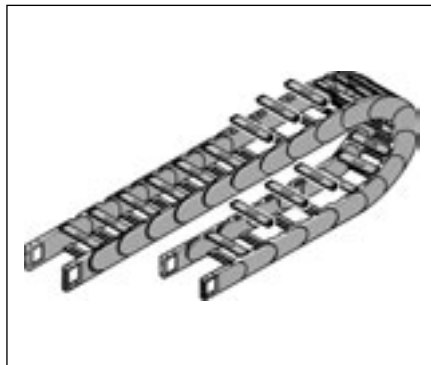
Service temperature: -30 to +120 °C
 Gliding friction factor: 0.30
 Static friction factor: 0.45
 Fire classification: in conformity with UL94 HB

Other material properties on request

Technical specifications

Travel distance, gliding, L_g : 50 m
 Travel distance, self-supporting, L_s : see diagram
 Travel distance, vertical, hanging, L_{vh} : 40 m
 Travel distance, vertical, upright, L_{vu} : 3 m
 Rotated 90°, self-supporting, L_{sg} : 1 m
 Speed, gliding, V_g : 5 m/s
 Speed, self-supporting, V_s : 15 m/s
 Acceleration, gliding, a_g : 15 m/s²
 Acceleration, self-supporting, a_s : 20 m/s²

Unsupported length



FL_g:
 Ideal installation situation for high stresses at the limit of the max. travel parameters. In this range the chain upper run is still biased, straight or has a max. sag of 10 – 50 mm depending on the type of chain.

FL_s:
 Satisfactory installation position for many applications working in the lower to middle range of the max. travel parameters. Depending on the chain type, the sag of the chain upper run is > 10 – 50 mm but less than the max. sag.

If the sag is greater than FL_s, the arrangement is unsuitable and should be avoided. Please choose a more stable murrplastik cable drag chain.

Determining the chain length

Determining the chain length

$$\text{Length} = \frac{L}{2} + \pi \times R + E$$

≈ 1 m chain = 13 x 75.5 mm links

The fixed point of the cable drag chain should be connected in the middle of the travel distance. This arrangement gives the shortest connection between the fixed point and the moving consumer and thus the most efficient chain length.

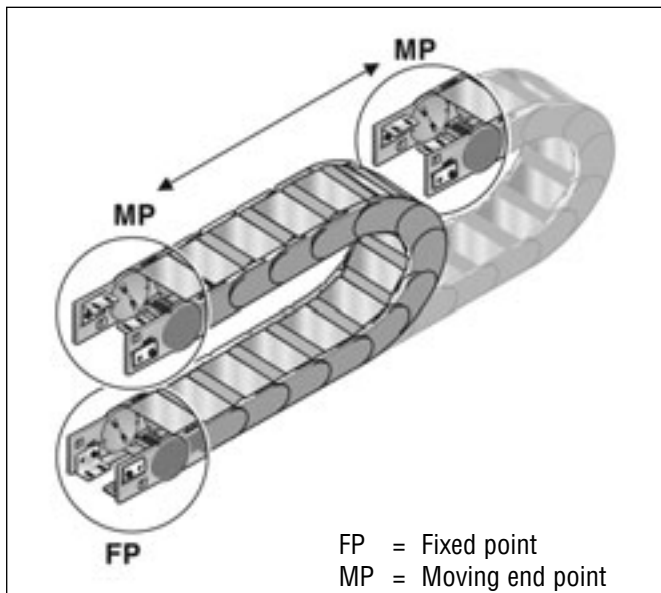
Installation dimensions (in mm)

Installation dimensions (in mm)	Radius R			
	125	150	200	250
Outside height of chain link (H_e)	62	62	62	62
Height of bend (H)	312	362	462	562
Height of moving end connection (H_{MA})	250	300	400	500
Safety margin with bias (S_v)	38	38	38	38
Installation height with bias (H_{sv})	350	400	500	600
Safety margin without bias (S_k)	13	13	13	13
Installation height without bias (H_{sk})	325	375	475	575
Arc projection (M_i)	232	257	307	357
Bend length (L_b)	565	644	801	958



MP 43 G - MultiLine

Chain bracket



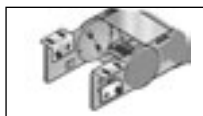
Chain bracket



Bottom / outside



Bottom / inside



Top / outside



Top / inside

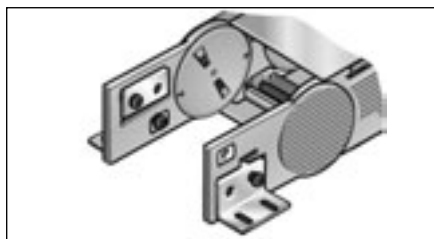
Chain bracket

Type

Order no.

Material

Pack



KA 44

0440000050

Steel plate

1

KA 44

0440000052

Stainless steel 1.4301

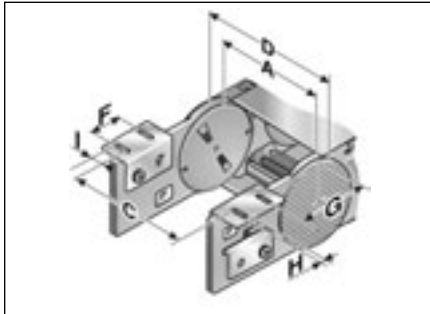
1

There are several options as regarding the chain bracket. The fixed-point bracket (inside/bottom) and the moving end bracket (inside/top) are supplied as standard. However, any other combination can be supplied upon request. The chain bracket is fastened at the end like a side link. This enables the chain to move right up to the bracket. Each chain requires two chain brackets. The brackets should be fastened with M6 screws.

MP 43 G - MultiLine

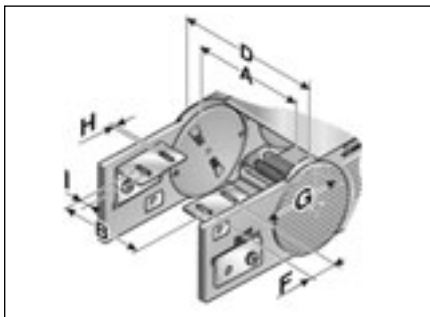
Chain bracket

Dimensions in mm



Bottom and top / outside

Type	A	C	D	F	G	H Ø	I
KA 44	62.00	100.50	96.00	32.00	43.20	6.50	12.50
KA 44	84.00	122.50	118.00	32.00	43.20	6.50	12.50
KA 44	105.00	143.50	139.00	32.00	43.20	6.50	12.50
KA 44	144.00	182.50	177.00	32.00	43.20	6.50	12.50
KA 44	182.00	220.50	215.00	32.00	43.20	6.50	12.50



Bottom and top / inside

Type	A	B	D	F	G	H Ø	I
KA 44	62.00	47.50	96.00	32.00	43.20	6.50	12.50
KA 44	84.00	69.50	118.00	32.00	43.20	6.50	12.50
KA 44	105.00	90.50	139.00	32.00	43.20	6.50	12.50
KA 44	144.00	129.50	177.00	32.00	43.20	6.50	12.50
KA 44	182.00	167.50	215.00	32.00	43.20	6.50	12.50



MP 43 G - Accessories

Separator



Separator

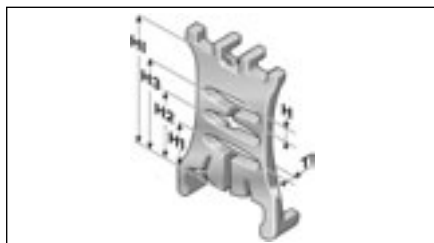
Type	Order no.	Description	Pack
TR 43	0430000090	Separator	1

Lock grid spacing 1.60 mm

We recommend the use of movable separators if multiple round cables or tubes with differing diameters are to be installed. An offset configuration of the separators is advisable. When the frame ridge is opened, the separator is guaranteed to remain solidly mounted on one side.

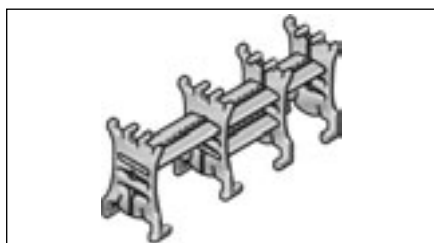
Type	Dimensions in mm					
	TI	H	H1	H2	H3	HI

TR 43	4.00	4.30	12.30	19.50	26.50	38.00
-------	------	------	-------	-------	-------	-------



Separator

Shelving system



Shelving system

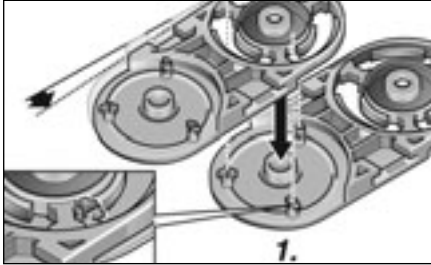
Type	Order no.	Description	Width in mm	Pack
RB 031	100000003100	RB 031 Shelf	31	1
RB 048	100000004800	RB 048 Shelf	48	1
RB 070	100000007000	RB 070 Shelf	70	1
RB 092	100000009200	RB 092 Shelf	92	1
RB 128	100000012800	RB 128 Shelf	128	1
RB 167	100000016700	RB 167 Shelf	167	1

Lock grid spacing 1.60 mm

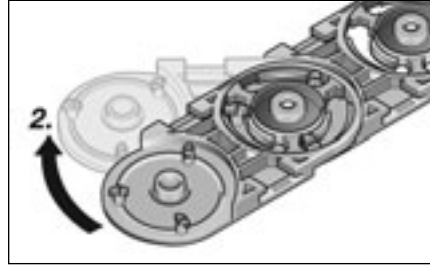
The shelf must be used with a minimum of two separators to create a shelving system. The additional levels prevent cables from criss-crossing and therefore destroying each other, whilst also avoiding excessive friction. The shelves are matched to the available chain widths.

MP 43 G - MultiLine

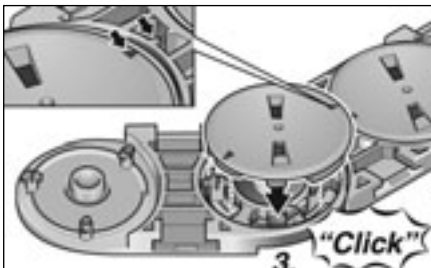
Assembly



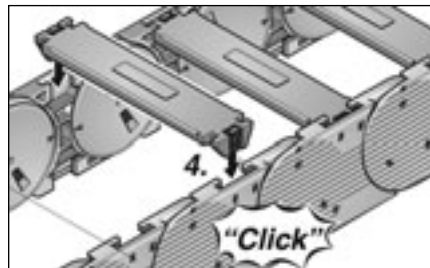
Step 1



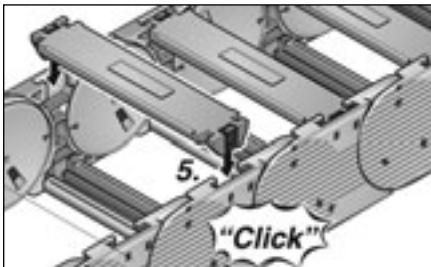
Step 2



Step 3

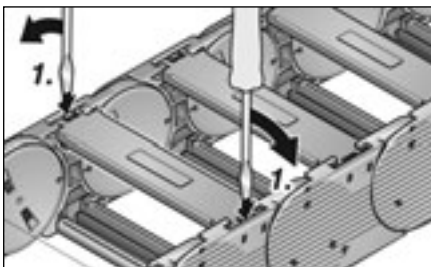


Step 4

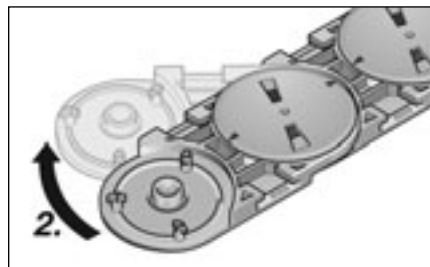


Step 5

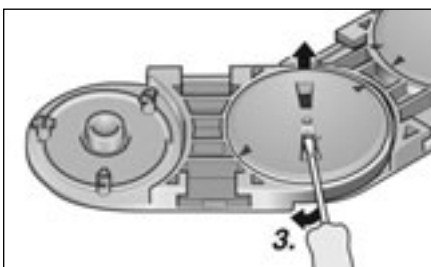
Disassembly



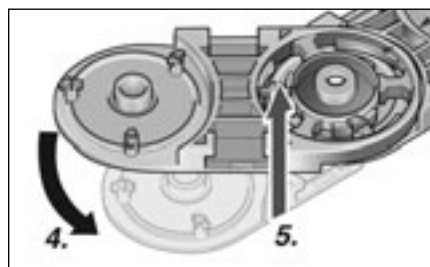
Step 1



Step 2



Step 3



Step 4