

- 3 different mounting options in/on metal, incl. accessories
- FRAM memory 2 kB

Functional principle

The HF read/write heads operating at a frequency of 13.56 MHz, form a transmission zone the size of which (0...500 mm) varies, depending on the combination of read/write head and data carrier.

The read/write distances mentioned here only represent standard values measured under laboratory conditions and free from any influences caused by materials.

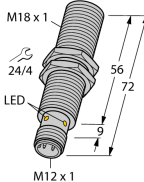
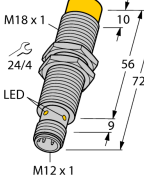
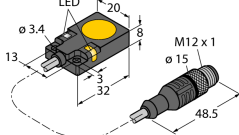
The read/write distances of data carriers suitable for mounting in/on metal were determined in/on metal.

Attainable distances may vary by up to 30 % due to component tolerances, mounting conditions, ambient conditions and material qualities (especially when mounted in metal)

Testing of the application under real operating conditions is therefore essential, especially with read/write on-the-fly!

Type code	TW-R30-M-K2
Ident no.	7030206
Data transfer	inductive coupling
Operating frequency	13.56 MHz
Memory type	FRAM
Chip	Fujitsu MB89R118
Memory	2048 byte
Memory	read/write
Freely usable memory	2000 byte
Number of read operations	unlimited
Number of write operations	10 ⁹
Typical read time	0.5 ms/byte
Typical write time	0.5 ms/byte
Radio communication and protocol standards	ISO 15693
Minimum distance to metal	0 mm
Ambient temperature	-25...+85 °C
Storage temperature	-45...+85 °C 140 °C, 1x100 h
Construction	R30
Housing material	plastic, PET
Material active area	plastic, Black, PET
IP Rating	IP68
Packaged quantity	1

Read/write heads

Dimensions	Type designation Ident - no.	Read-write distance		Transfer zone		Minimum distance between two read-write heads [mm]
		Recommend- ed (mm)	max. [mm]	length max. [mm]	width offset max. [mm]	
	TB-M18-H1147 7030001 TB-EM18WD-H1147 7030224	7	10	18	9	54
		TN-M18-H1147 7030002 TN-EM18WD-H1147 7030223	6	13	10	5
	TB-Q08-0.15-RS4.47T 7030553	7	10	18	9	54

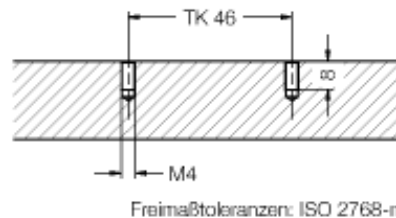
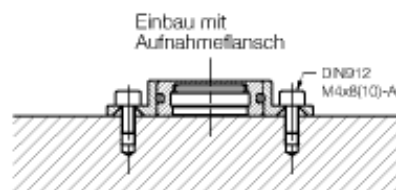
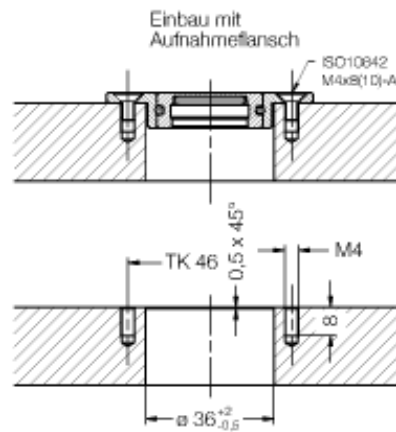
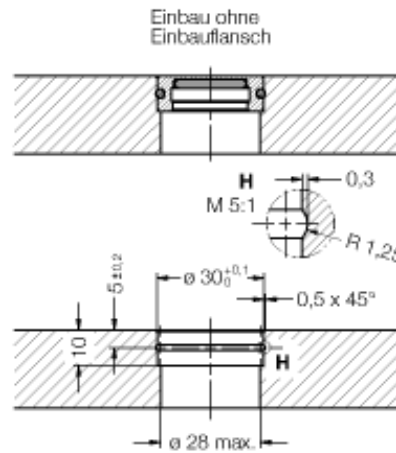
Compatible handhelds

	<p>PD-IDENT-HF-RWBTA (7030601) Handheld for mobile reading and writing to data carriers. Equipped with WLAN 802.11a/b/g/n and Bluetooth; incl. docking station with power supply, USB cable, and TURCK RFID Software TA-HF.</p>
	<p>PD-IDENT-HF-S2D-RWBTA (7030602) Handheld for mobile reading and writing to data carriers. Equipped with WLAN 802.11a/b/g/n, Bluetooth and 2 D barcode scanner; incl. pistol grip, docking station with power supply, USB cable, and TURCK RFID software TA-HF.</p>
	<p>PD-IDENT-HF-L1D-RBUP-SMART (7030564) Handheld for mobile reading and writing to data carriers. Keyboard functions (HID) for wireless transmission of data via Bluetooth (also to IOS devices) or USB. Barcode 1 D laser scanner and only three buttons for ease of use.</p>

Mounting instructions

These data carriers can be mounted in 3 different ways:

1. Directly potted or glued in metal (without O-ring)
2. Installed in metal with O-ring (fixed with 2 screws)
3. Mounted upside down on metal (fixed with 2 screws)



Accessories

Type code	Ident no.	Description	Design
MF-R30	6901150	The flange facilitates mounting of the data carrier TW-R30-M-B128 (-K2) on or in the metal.	